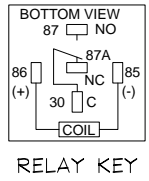
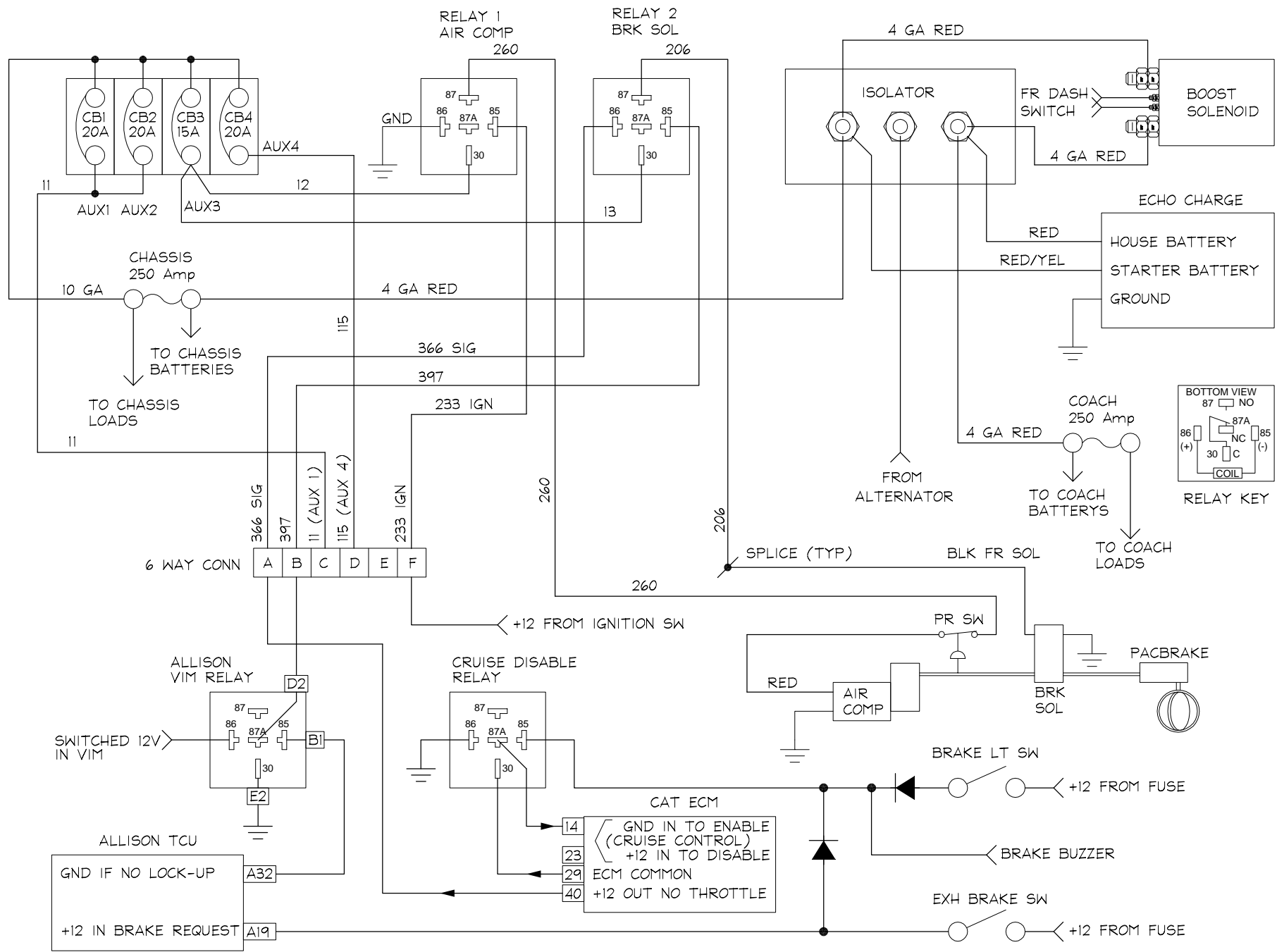


12/10/13 7:17:50 AM D:\MY DOCUMENTS\SAFARI\SAFARI\CAD\SAFARI_PACBRAKE.DWG



As Built: Air pump motor current runs through the pressure switch to power the air compressor motor.	SCALE: N/A DRAWN: JIM X DATE: 4/30/13	PROJECT: SAFARI MOTORHOME LOC: N/A JOB NO: N/A	TITLE: SAFARI ISOLATOR PANEL DRG: SAFARI ISO PNL 1	REVISION 1
--	---	--	---	---------------